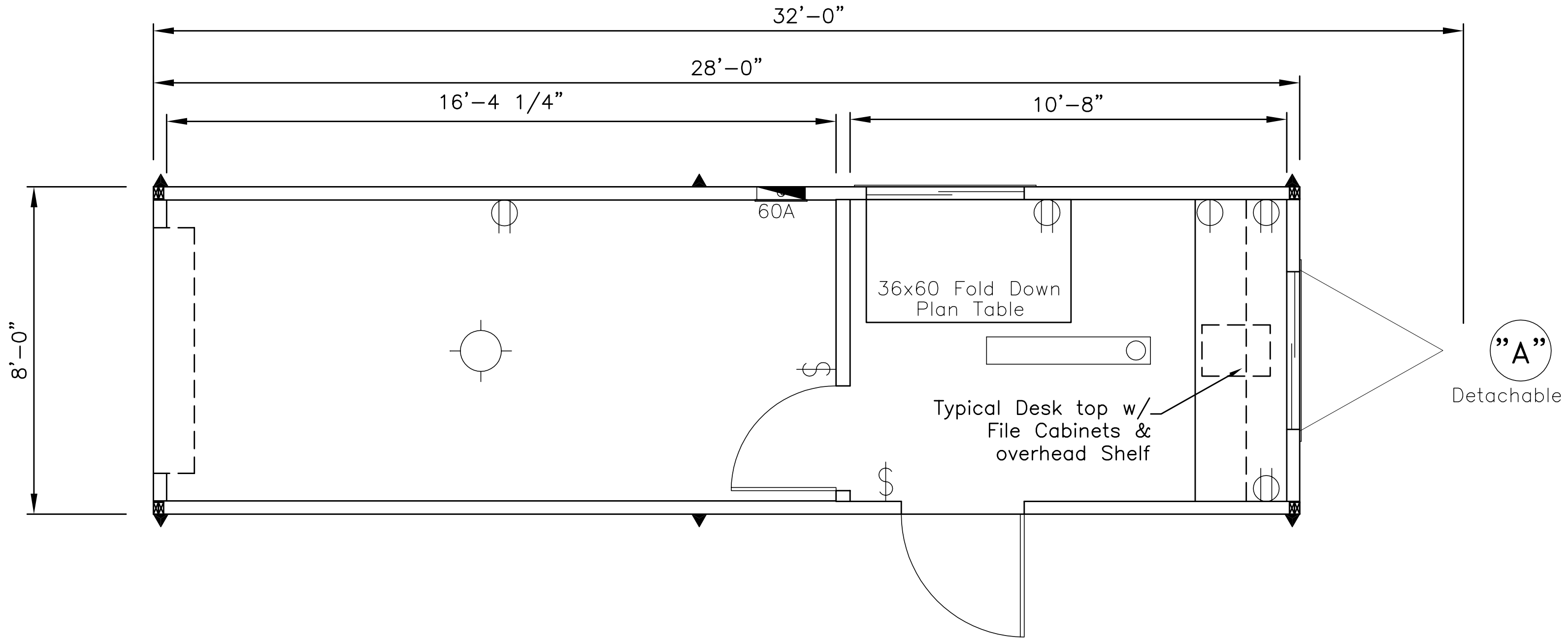


8 x 32 Office Trailer Combo



MOBILE OFFICE TRAILERS



With Triumph, you'll benefit from a winning combination of quality products, prompt delivery, competitive pricing and dependable follow through. Triumph's mobile office trailers are backed by our in-house repair service.

Available Sizes:

8' x 20' | 8' x 24' | 8' x 32' | 10' x 36' | 10' x 40' | 10' x 44' | 10' x 50'
12' x 50' | 12' x 60' | 24' x 64'

Features:

- Meet NY, NJ, RI, VT, NH, MA, ME and CT building codes
- Optional restrooms
- Fully equipped with air conditioning, electric heat, electrical outlets, desks, plan tables and filing cabinets

Ask about or special models with:

- High-quality steel doors and latches
- White roofs that reflect heat from the sun and reduce cooling costs
- Bright, vinyl-sided interior walls
- Double insulated low-E glass windows for energy efficiency, security and durability
- Highest overall insulation values in the industry
- T1-11 wood-sided exteriors
- OSHA steps, ramps and security packages available

We offer custom trailers with toilets, showers, locker units and change houses.

We work with the best manufacturers to design the latest in modular office space to provide our customers with temporary, portable solutions for immediate space needs.



Triumph Offers:

- Experienced account consultants
- Radio-dispatched pick-up & delivery
- Short or long term rentals or sales
- Delivery, block and level set-up and tie-down service
- Expert, on-site maintenance


Redefining Modular™

Call our Sales Team today at:

800-257-2536 →

or visit www.triumphmodular.com